



SLIDING



SOCIALIZING



CLIMBING



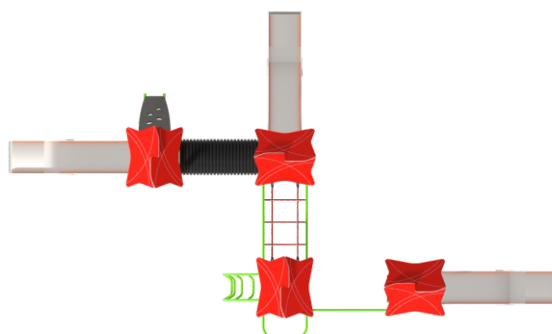
BALANCING

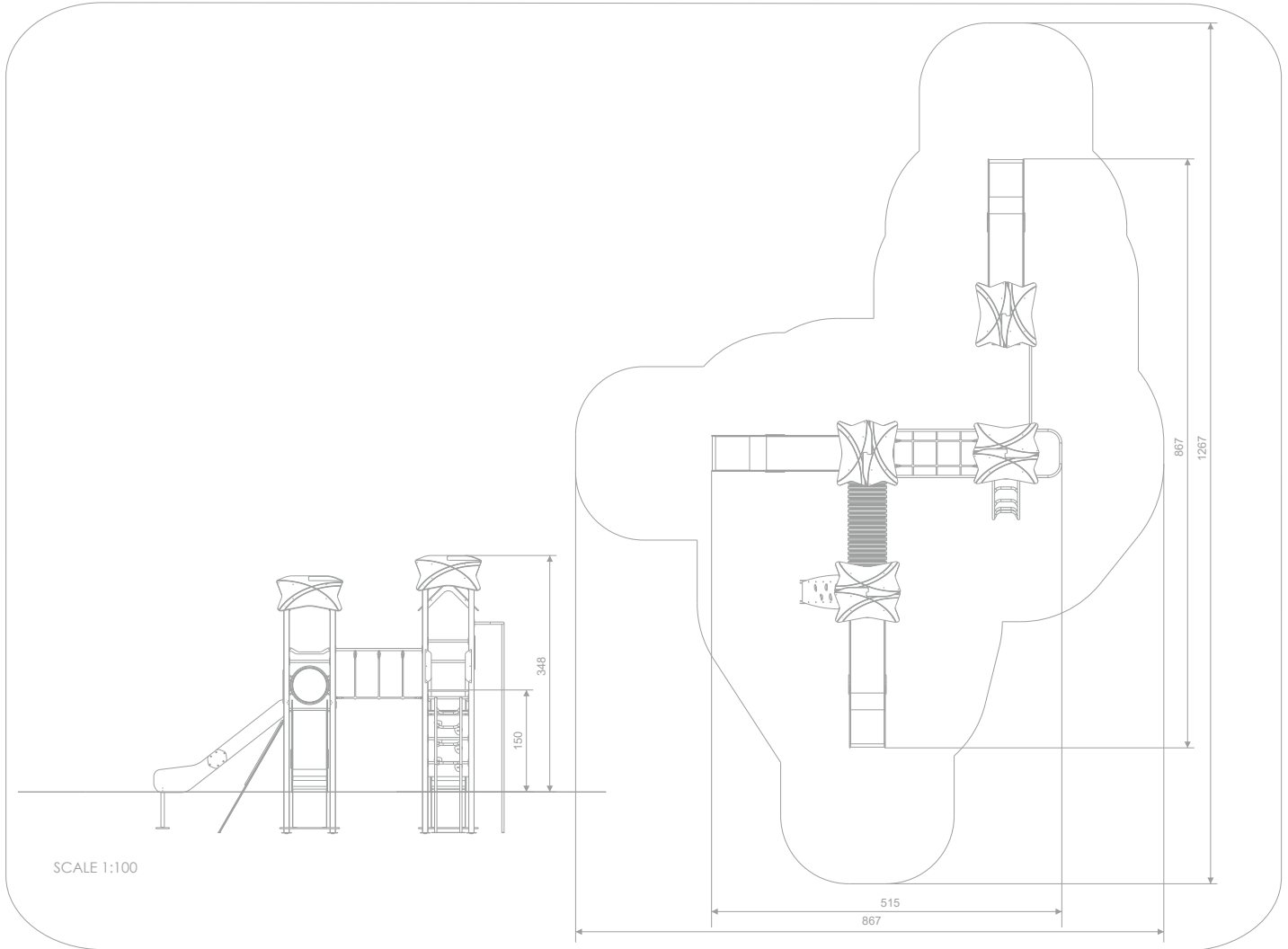


INFORMATION ABOUT THE PRODUCT

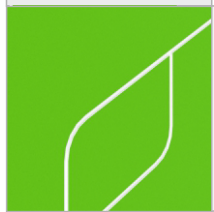
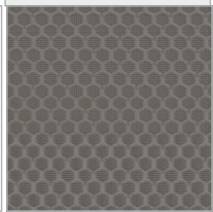
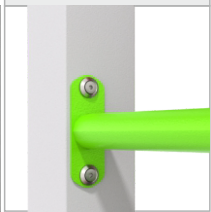
Dimensions	515 x 867 cm
Safety zone	865 x 1267 cm
Safety zone area	57,4 m ²
Overall height	348 cm
Free fall height	150 cm
Amount of users	20
Product complies with EN 1176-1:2017-12	YES
Availability of spare parts	YES
Age range	3-14

According to EN 1176-1:2017-12 norm, the product requires applying a safety surface according to the product's free fall height.





MATERIALS:

<p>PLATES OF THE WALLS MADE OF 12 MM HDPE IN THE HIGHEST QUALITY</p>	<p>ANTI-SLIP HEXA 18 MM H PLATFORM PLATE SERIES: SMART</p>	<p>SOLID CONSTRUCTION MADE OF BLACK STEEL, CLEANED THE SANDBLASTING PROCESS</p>
		
<p>SLIDES MADE OF STAINLESS STEEL AISI 304, SIDE PANELS MADE OF HDPE POLYETHYLENE</p>	<p>POLYPROPYLENE ROPES PPMULTISPLIT TYPE WITH A STEEL CORE AND A DIAMETER OF 16 MM</p>	<p>TUBE PASSAGE, POLYPROPYLENE (PP) OUTSIDE DIAMETER 58 CM INSIDE DIAMETER 50 CM</p>
